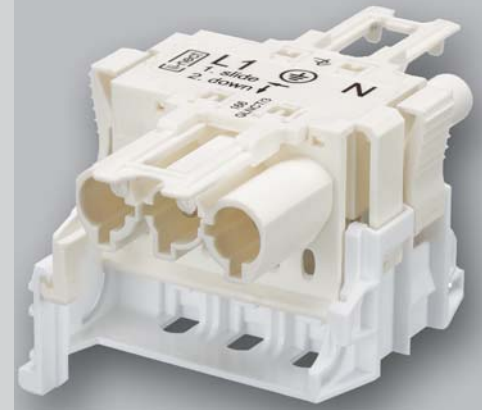




the light connection system



New Product

Reduce complexity, plan free, install flexible

The future name of pluggable connections

is Linect® – a universal connecting system for the installation of recessed ceiling luminaires. The system consists of

- a connector inside the luminaire,
- a plug-in adapter to connect plug and socket connectors outside the luminaire, and
- an exactly defined Linect® interface between connector and adapter that may be used by any manufacturers of built-in luminaires.

Connectors as well as adapters are supplied by well-known component manufacturers, Adels-Contact being among.

The most important advantages of that system are

for the lighting industry

- reducing the variety of built-in luminaires to be offered
- smaller quantities of components to buy
- several well-known suppliers of Linect® connectors

for planners

- distinct separation of luminaire choice and installation techniques
- more liberty and reliability for planning by compatibility of luminaires and connection components
- tendering independent of manufacturers

for installers

- all kinds of connections: conventional or by plug and socket connectors
- quick mounting and dismounting
- correct installation by coding system for various functionalities

Adels-Contact has a role to play on both sides

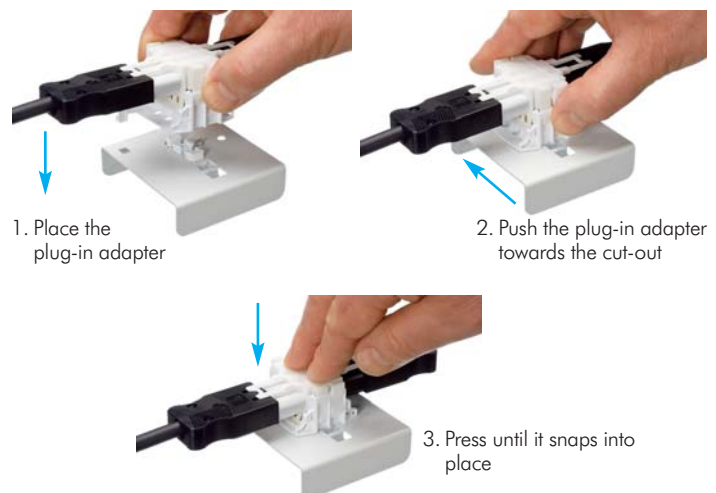
on the installation side

with the Linect® plug-in adapter of our AC 166 G series (compatible with the leading market standard), available for a 3 pole mains connection

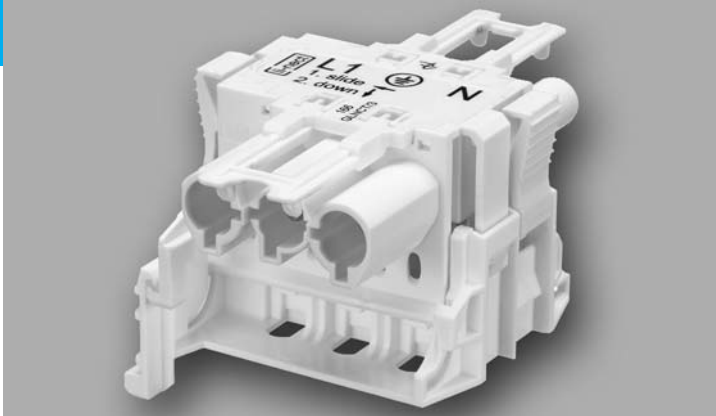
inside the luminaire

with the connector line LNCT 990, available for mains connection (3 pole), emergency lighting (2 and 5 pole) and DALI connection (5 pole)

Connection to the luminaire

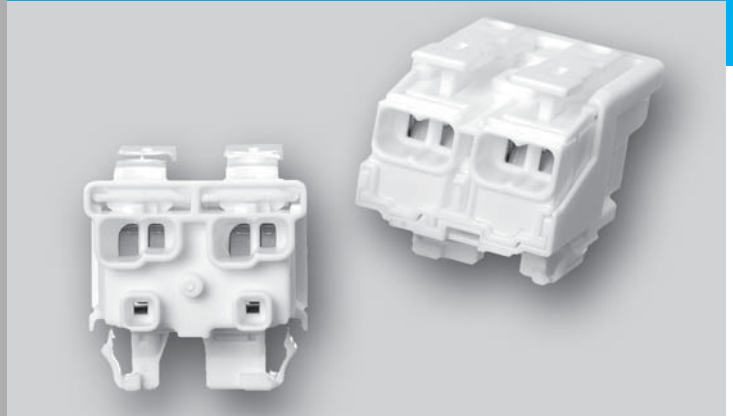


Further information available at www.adels-contact.de or at www.li-nect.com.



LINECT® Plug-in Adapters

Connection: distributing block 1 input terminal (plug),
1 output terminal (socket),
1 tap to the luminaire by LINECT® interface
Important approvals: VDE, KEMA (applied for)

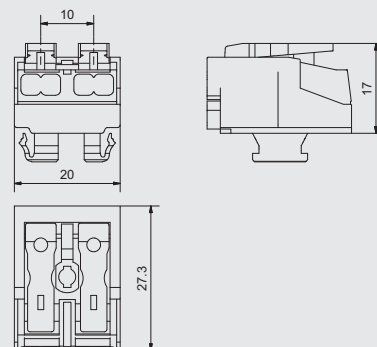
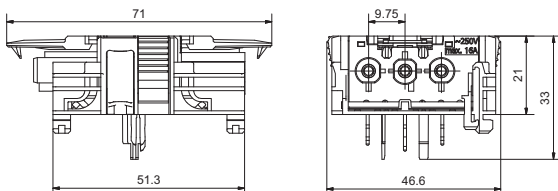


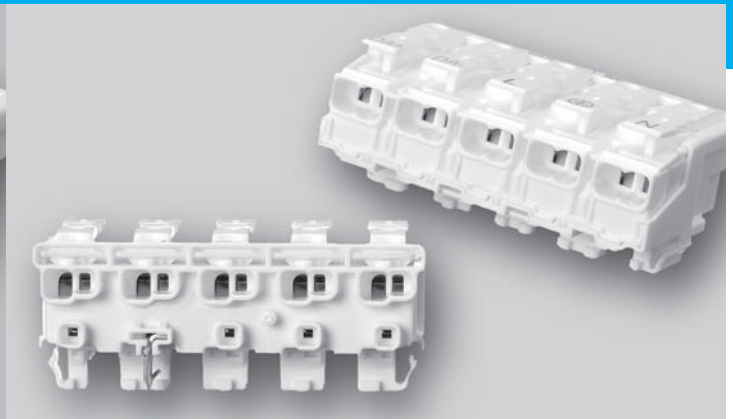
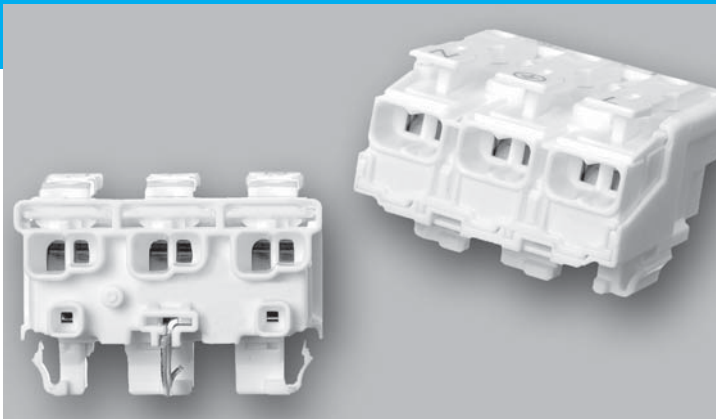
LINECT® Connectors LNCT 990 2 pole

Connection: ext.
2 x 0.5 - 2.5 mm² solid, stranded or flexible, sealed release key
int.
1 x 0.5 - 2.5 mm² solid
1 x 0.5 - 1.5 mm² solid capacitor
1 x 0.5 - 0.75 mm² solid
Fixing: by catch pins and coding profiles for plates of 0.4 - 1.0 mm thickness
Stripping length: 8 - 9 mm
Important approvals: ENEC, KEMA, VDE (applied for)
Upon request: strain reliefs

Description	Item	Order Number	PU
Coding 1	AC 166 GLNCT/ 3 white	167853	100

Description	Item	Order Number	PU
Coding "EMERGENCY" printed with 'N' 'L'	LNCT 990/ 2 EMER	054052	600





LINECT® Connectors LNCT 990 3 pole

Connection: ext.
2 x 0.5 - 2.5 mm² solid, stranded or flexible, sealed
release key
int.
1 x 0.5 - 2.5 mm² solid
1 x 0.5 - 1.5 mm² solid
capacitor
1 x 0.5 - 0.75 mm² solid

Fixing: by catch pins and coding profiles for plates of 0.4 - 1.0 mm thickness

Stripping length: 8 - 9 mm

Important approvals: ENEC, KEMA, VDE (applied for)

Upon request: strain reliefs

LINECT® Connectors LNCT 990 5 pole

Connection: ext.
2 x 0.5 - 2.5 mm² solid, stranded or flexible, sealed
release key
int.
1 x 0.5 - 2.5 mm² solid
1 x 0.5 - 1.5 mm² solid
capacitor
1 x 0.5 - 0.75 mm² solid

Fixing: by catch pins and coding profiles for plates of 0.4 - 1.0 mm thickness

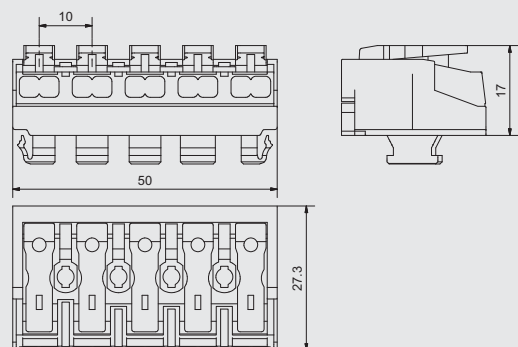
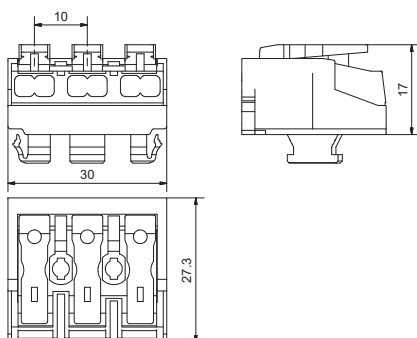
Stripping length: 8 - 9 mm

Important approvals: ENEC, KEMA, VDE (applied for)

Upon request: strain reliefs

Description	Item	Order Number	PU
Coding "MAINS" printed with N PE L			
without PE contact	LNCT 990/ 3	051053	500
with PE contact by screw	LNCT 990/ 3 SK	051253	500
with PE bow	LNCT 990/ 3 ST	051353	500
with angled PE bow	LNCT 990/ 3 STW	051453	500
with PE claw	LNCT 990/ 3 SU	051653	500

Description	Item	Order Number	PU
Coding "MAINS+DALI" printed with DA+ DA- L PE N			
without PE contact	LNCT 990/ 5 DALI	053055	500
with PE contact by screw	LNCT 990/ 5 DALI SK	053255	500
with PE bow	LNCT 990/ 5 DALI ST	053355	500
with angled PE bow	LNCT 990/ 5 DALI STW	053455	500
with PE claw	LNCT 990/ 5 DALI SU	053655	500
Coding "MAINS+EMERGENCY" printed with L' N' L PE N			
without PE contact	LNCT 990/ 5 EMER	054055	500
with PE contact by screw	LNCT 990/ 5 EMER SK	054255	500
with PE bow	LNCT 990/ 5 EMER ST	054355	500
with angled PE bow	LNCT 990/ 5 EMER STW	054455	500
with PE claw	LNCT 990/ 5 EMER SU	054655	500





Technical Information

www.adels-contact.de

Applicable Standards

- EN 60998
Connecting devices for low-voltage circuits
- EN 60598
Luminaires – requirements and tests
- EN 61984
Plug and socket devices – safety requirements and tests
- EN 61535
Installation couplers intended for permanent connection in fixed installations

Current Rating

to EN 61984: 16 A

Luminaire Connectors LNCT 990

Plastic Material

Polycarbonate (PC 125)
Flammability rating to UL 94: V-0
Continuous working temperature 125 °C, short-time temperature 165 °C

Metal

Contacts: copper, tinned, spring steel

Hole patterns upon request

Plug-in Adapter AC 166 GLNCT

Plastic Material (Plug-in Matrix)

Polyamide 6/6
Flammability rating to UL 94: V-2
Continuous working temperature 100 °C, short-time temperature 160 °C

Metal

Brass, plated

Protection Class

IP 20
IP 40 – when plugged-in

Approvals

For current approvals, please see the relative data sheets of each item on our website.

- Terminal Blocks and Connectors for Luminaires of Superior Quality
- Screw and Screwless Connectors for Ballasts
- Mains Supply Connectors for Electrical Appliances
- Transformer Connectors
- Print Connectors for Electronic Applications
- Connecting Systems for Building Technology

ADELS
contact

Adels-Contact
Elektrotechnische Fabrik
GmbH & Co. KG

Buchholzstraße 40-46
51469 Bergisch Gladbach · Germany

Phone: +49 2202 9534-0
Fax: +49 2202 9534-88
E-Mail: info@adels-contact.de
Internet: www.adels-contact.de